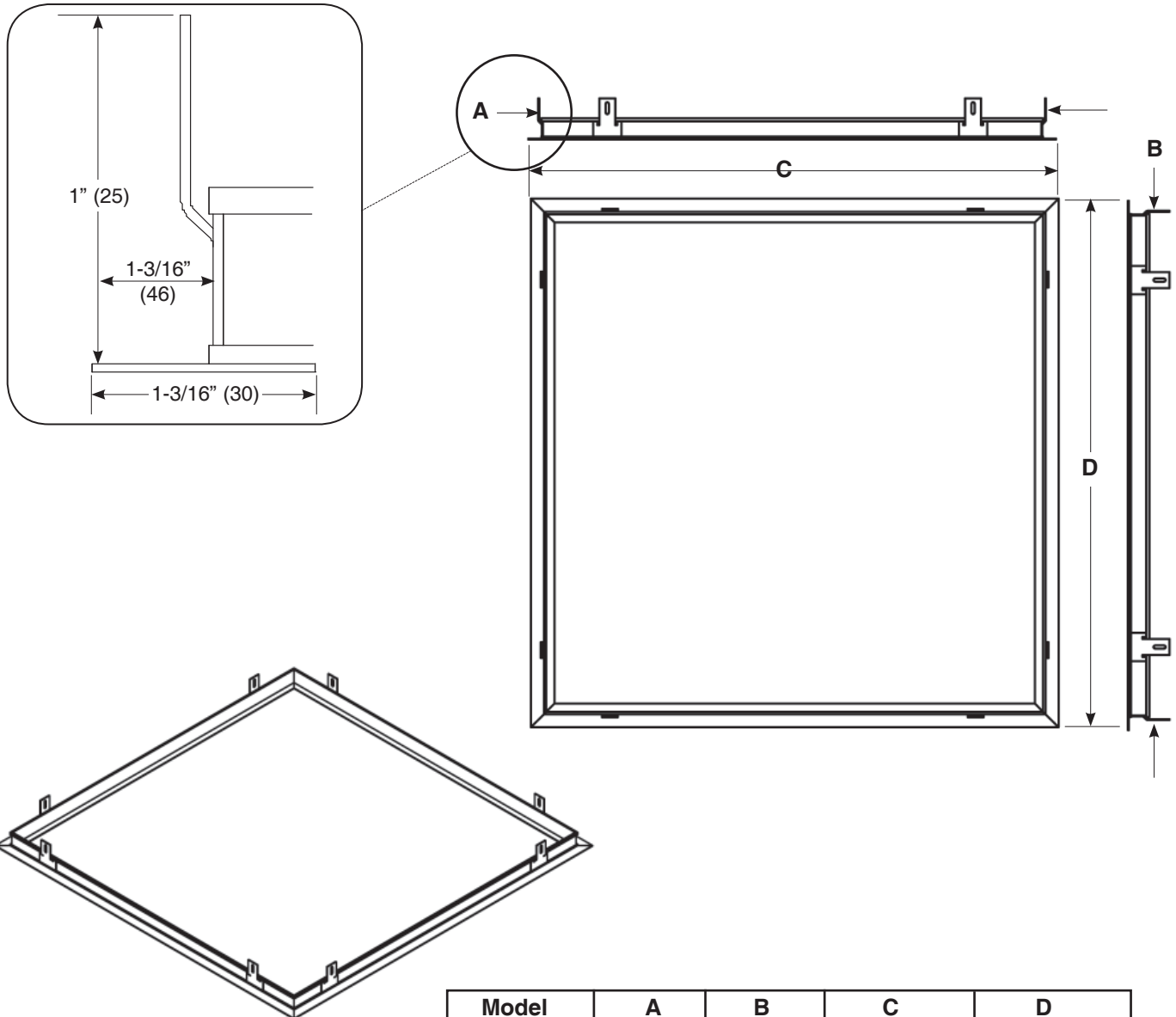


Imperial [IP] Dimensions
Metric (SI) in Parentheses

Silent Zone™, 448 S. Main St., P. O. Box 930040, Verona, WI 53593-0040 Phone: (877)945-9175 Fax: (608)845-6504 www.silentzonevac.com



| Model | A | B | C | D |
|------------|-----------|------------|----------------|-----------------|
| KXFAA 1212 | 12" (305) | 12" (305) | 13-7/16" (341) | 13-7/16" (341) |
| KXFAA 1224 | 12" (305) | 24" (610) | 13-7/16" (341) | 25-7/16" (646) |
| KXFAA 2424 | 24" (610) | 24" (610) | 25-7/16" (646) | 25-7/16" (646) |
| KXFAA 2448 | 24" (610) | 48" (1219) | 25-7/16" (646) | 49-7/16" (1255) |

Notes:

1. Recommended Ceiling opening: $A + 1/2" \times B + 1/2"$.
2. Mounting kit included (angles and screws).
3. Standard color is #11 Bright White.
4. Metric dimensions are listed in millimeters.