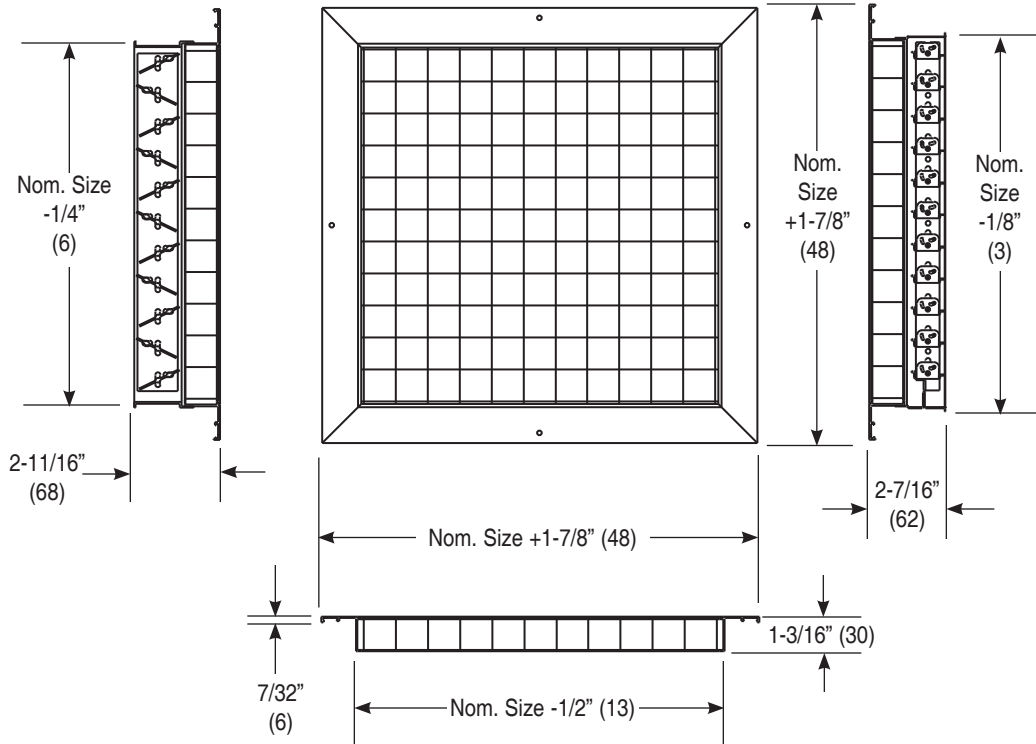


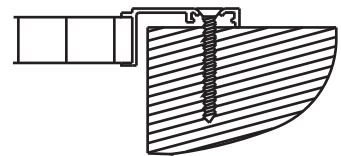
Imperial [IP] Dimensions
 Metric (SI) in Parentheses

Silent Zone™, 448 S. Main St., P. O. Box 930040, Verona, WI 53593-0040 Phone: (877)945-9175 Fax: (608)845-6504 www.silentzonehvac.com



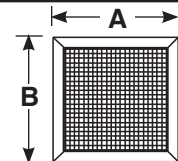
Standard Screw Mounting ("Y")

Screw is #6 x 1-1/4"
 Countersunk head.



Option "N" (No Screw Holes)

When ordered with this option, the following sizes will fit the following suspended ceiling grids with no modification required.



Nominal Size	Has This O. D. [A x B]	and Fits This T-bar
10" x 10"	11-7/8" x 11-7/8" (302 x 302)	12" x 12"
10" x 22"	11-7/8" x 23-7/8" (302 x 606)	12" x 24"
22" x 22"	23-7/8" x 23-7/8" (606 x 606)	24" x 24"
22" x 46"	23-7/8" x 47-7/8" (606 x 1216)	24" x 48"

Notes:

- Standard finish is electrocoat acrylic baked enamel.
- Standard color is #11 Bright White.
- Core and frame are aluminum.
- Damper is operated via flat-blade screwdriver inserted into one corner.
- Maximum single panel size is 48" x 36". Panels can be joined together for larger sizes.
- Damper on Model RNEAF is aluminum model RXFA.
- Damper on Model RWEAF is electrogalvanized steel model RXEA.
- Metric dimensions are given in millimeters.